



OCTA LIGHT BULGARIA JSC

www.octa-light.com  
info@octa-light.com



## ARROW Series

Weatherproof LED Luminaires

### GUARANTEE / WARRANTY

5 years extended guarantee

### HIGHLIGHTS & BENEFITS

- ▶ Excellent weatherproof linear LED luminaire, designed especially for pole mounting
- ▶ Delivered system efficiency of 150 lm/W
- ▶ No UV light emission
- ▶ High ingress protection, resistant to dust, water, and other environmental factors
- ▶ Available in Cool, Neutral & Warm White Color Temperatures
- ▶ Easy mounting, maintenance free
- ▶ Uniform light distribution, ensuring that the entire area is evenly illuminated
- ▶ Injection-moulded PMMA diffuser with high UV and chemical resistance
- ▶ Effective solution for lighting of industrial halls, workshops, and parking areas

### FEATURES

Operating voltage	198 - 264 V AC 50/60 Hz
IP rating	IP65
IK rating	IK10
LED package used	OCTALED
Dimmable	Yes DALI or 0-10V (Optional)
LED lifetime	70 000 h L90B10
Color rendering index	Ra>70, Ra>80 (Optional)
SDCM (MacAdam)	<3
Flicker	<5%
Power factor	>0.95
Emergency version	Yes 3 hours (optional)
Options and accessories	3HR

### ADDITIONAL INFORMATION

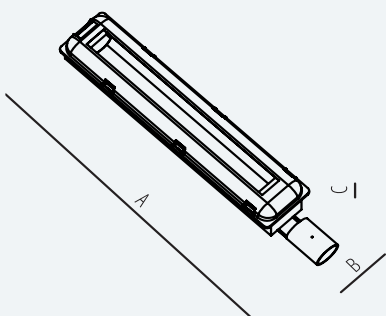
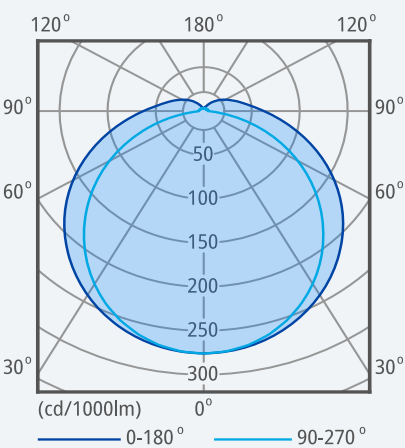
Type of installation	Pole mounting
Housing material	Polycarbonate
Optical system	Opal PMMA diffuser
Housing color	Grey
Operating temperature	-30°C to +50°C
Relative humidity	<90%
Electric class	I

### PRODUCT SELECTION

Product order code (OC)	Power	Lumen output			Efficiency * for 840	Input current	Dimensions AxBxC, mm
		lm CW	lm NW	lm WW			
ARWPRE20107 CC	10W	1 500	1 500	1 350	150 lm/W	46 mA	800x90x95
ARWPRE20207 CC	20W	3 000	3 000	2 700	150 lm/W	92 mA	800x90x95
ARWPRE40307 CC	30W	4 500	4 500	4 050	150 lm/W	138 mA	1400x90x95
ARWPRE40407 CC	40W	6 000	6 000	5 400	150 lm/W	184 mA	1400x90x95

### COLOR TEMPERATURE SELECTION

Correlated color temperatures CC		
2700 K	27	Warm White WW
3000 K	30	Warm White WW
4000 K	40	Neutral White NW
4500 K	45	Neutral White NW
5700 K	57	Cool White CW
6500 K	65	Cool White CW



### LED DRIVERS

Standard LED Driver	Premium constant current LED driver
DALI driver	DAL suffix to order code
1-10V dim. LED Driver	DIM suffix to order code

### WIRING INFORMATION

Cable/Flying Lead	None
Type of wiring required	Parallel to mains supply voltage

### Options and accessories

Suffix to OC	Description
3HR	3 hours battery pack

Octa Light Bulgaria is a completely vertically integrated manufacturer of LED packages, LED modules, LED lamps and LED luminaires. The company was established in 2010 as the first Light Emitting Diodes (LED) manufacturer with production based entirely in the EU. Company's LED portfolio includes powerful high-brightness light emitting diodes, last generation of low-power & mid-power LEDs, wide range of COBs, and innovative AC LED modules, as well as special application LEDs. We are constantly expanding our LEDs range to bring highest performance and quality of light sources. Our business scope includes OEM and ODM supply of LED packages, LED engines, luminaires and lamps.

Octa Light Bulgaria offers also complete lighting solutions accomplishing variety of lighting projects with own range of luminaires. Further to its core lighting business the company offers Contract Electronics Manufacturing /CEM/ for key industries.