



OCTA LIGHT BULGARIA JSC

www.octa-light.com  
info@octa-light.com



#### GUARANTEE / WARRANTY

5 years extended guarantee

#### HIGHLIGHTS & BENEFITS

- ▶ Energy efficient flexible LED module
- ▶ Delivered system efficiency of 105 lm/W
- ▶ Highly flexible and can be bent or shaped to fit any surface or design
- ▶ Fit specific spaces or design requirements
- ▶ Available in Cool, Neutral & Warm White Color Temperatures
- ▶ Energy-efficient LED technology, helping reduce energy consumption and save costs
- ▶ Can be used in a variety of applications, including architectural lighting and accent lighting
- ▶ Stable DC voltage operation
- ▶ Energy efficient solution for general, decorative and indirect lighting
- ▶ Ideal for high-end lighting solution in hotels, restaurants, shops and offices

## FLEXI FLXT Series

LED Luminaires for backlighting

#### FEATURES

Operating voltage	24 V DC, 12 V DC
IP rating	IP20
IK rating	IK02
LED package used	OCTALED
Dimmable	Yes DALI or 0-10V (Optional)
LED lifetime	70 000 h L90B10
Color rendering index	Ra>80, Ra>90 (Optional)
SDCM (MacAdam)	<3
Flicker	<5%
Power factor	>0.95
Emergency version	No
Options and accessories	12V, 24V

#### ADDITIONAL INFORMATION

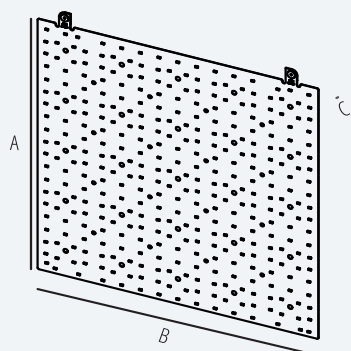
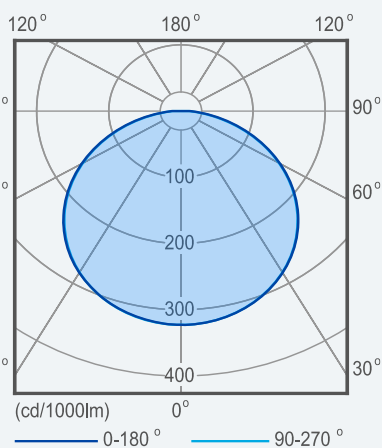
Type of installation	Surface
Housing material	Flexible PCB
Optical system	-
Housing color	White flexible PCB board
Operating temperature	-20°C to +45°C
Relative humidity	<60%
Electric class	I

#### PRODUCT SELECTION

Product order code (OC)	Power	Lumen output			Efficiency * for 840	Input current	Dimensions AxBxC, mm
		lm CW	lm NW	lm WW			
MODFLXT030003000208 CC	20W/m2	2 100	2 100	1 890	105 lm/W	92 mA	300x300x2.5
MODFLXT030003000638 CC	63W/m2	6 615	6 615	5 954	105 lm/W	289 mA	300x300x2.5

#### COLOR TEMPERATURE SELECTION

Correlated color temperatures CC		
2700 K	27	Warm White WW
3000 K	30	Warm White WW
4000 K	40	Neutral White NW
4500 K	45	Neutral White NW
5700 K	57	Cool White CW
6500 K	65	Cool White CW



#### LED DRIVERS

Standard LED Driver	Premium constant voltage LED driver
DALI driver	DAL suffix to order code
1-10V dim. LED Driver	DIM suffix to order code

#### WIRING INFORMATION

Cable/Flying Lead	None
Type of wiring required	Parallel to mains supply voltage

Octa Light Bulgaria is a completely vertically integrated manufacturer of LED packages, LED modules, LED lamps and LED luminaires. The company was established in 2010 as the first Light Emitting Diodes (LED) manufacturer with production based entirely in the EU. Company's LED portfolio includes powerful high-brightness light emitting diodes, last generation of low-power & mid-power LEDs, wide range of COBs, and innovative AC LED modules, as well as special application LEDs. We are constantly expanding our LEDs range to bring highest performance and quality of light sources. Our business scope includes OEM and ODM supply of LED packages, LED engines, luminaires and lamps.

Octa Light Bulgaria offers also complete lighting solutions accomplishing variety of lighting projects with own range of luminaires. Further to its core lighting business the company offers Contract Electronics Manufacturing /CEM/ for key industries.